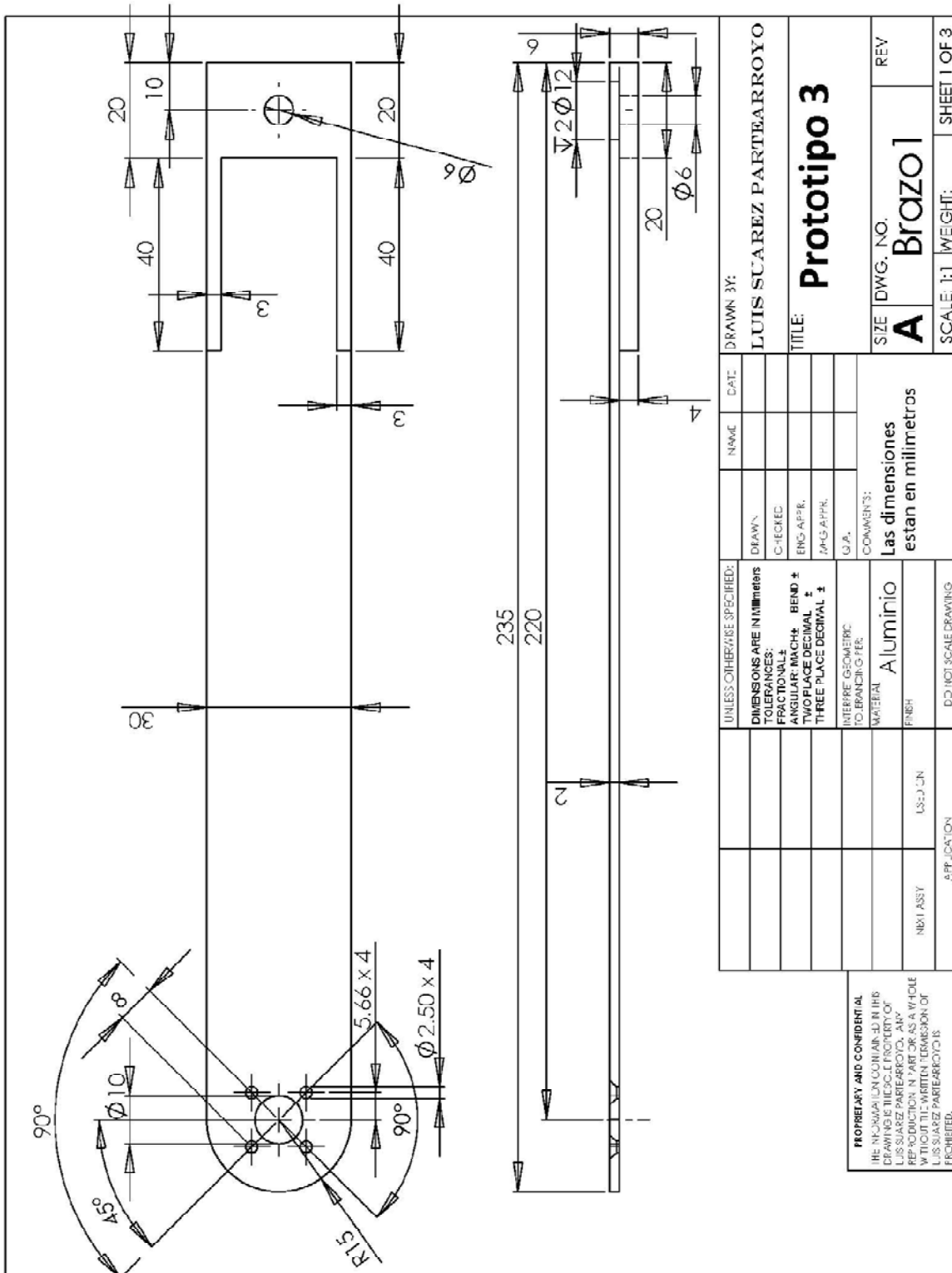
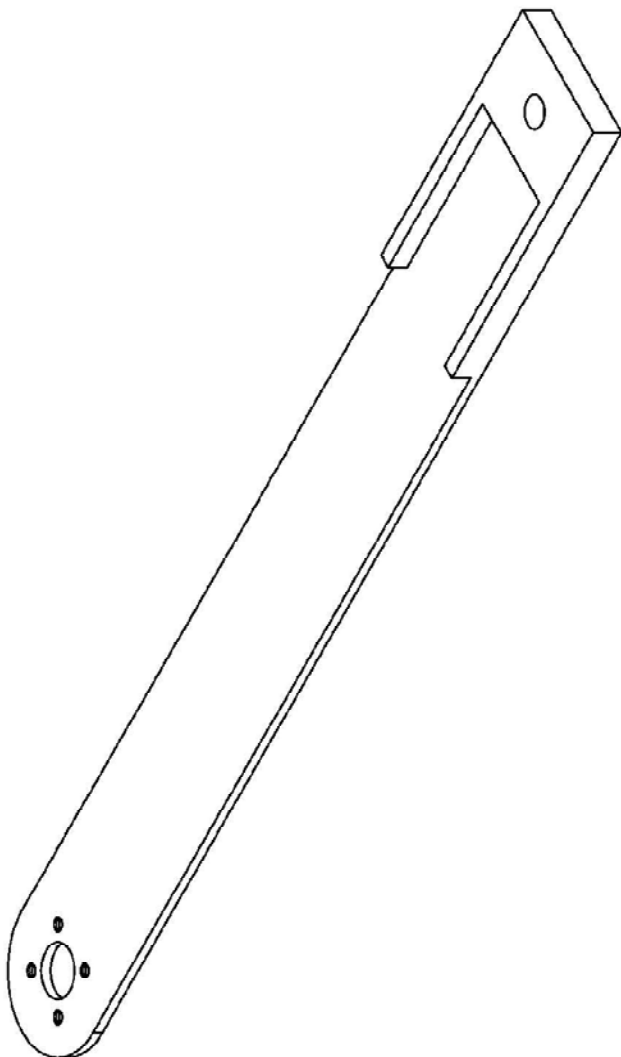


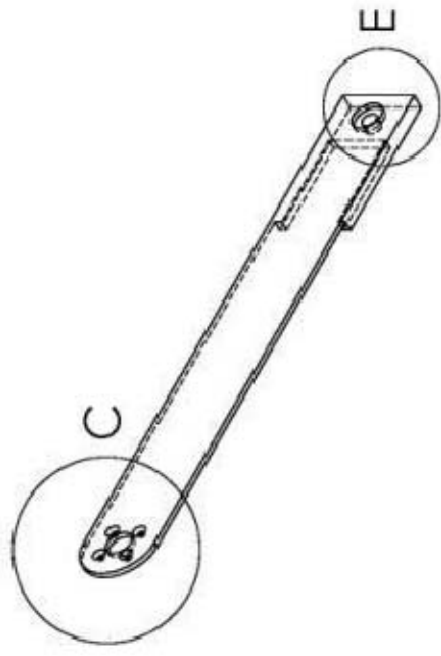
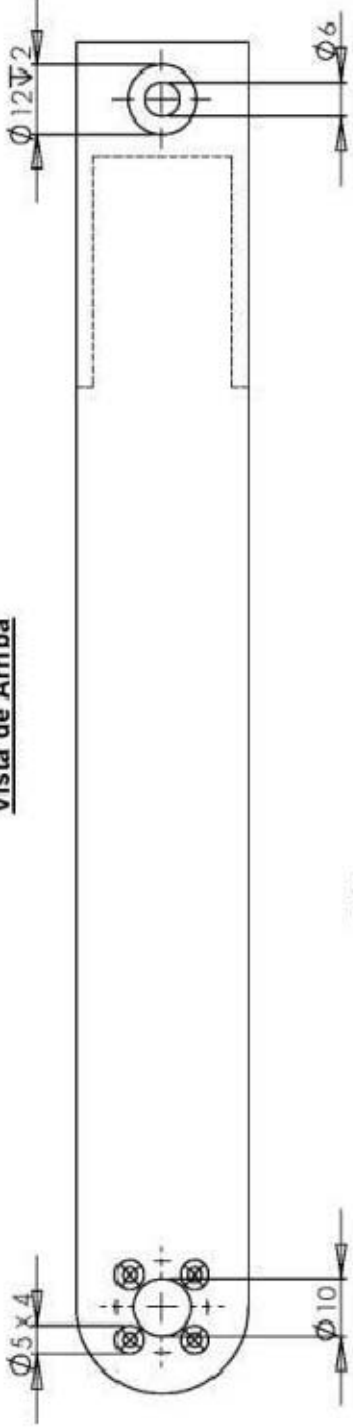
Anexo C: Dibujo Técnico – Brazo1.





<p>PROPRIETARY AND CONFIDENTIAL THE INFORMATION CONTAINED IN THIS DRAWING IS THE PROPERTY OF LUIS SUAREZ PARTES ARROYO. ANY REPRODUCTION IN PART OR AS A WHOLE WITHOUT THE WRITTEN PERMISSION OF LUIS SUAREZ PARTES ARROYO IS PROHIBITED.</p>		NEXT ASSY		A-PULCATION		DO NOT SCALE DRAWING	
		FINISH		MATERIAL		UNLESS OTHERWISE SPECIFIED:	
DRAWN		NAME		DATE		LUIS SUAREZ PARTE ARROYO	
CHECKED						TITLE	
ENG APPR.						Prototipo 3	
MFG APPR.						SIZE DWG. NO.	
Q.A.						A BRAZO 1	
COMMENTS:						SCALE: 1:5 WEIGHT: SHEET 2 OF 3	

Vista de Arriba



DETALLE
SCALE 1 : 1

DETAIL C
SCALE 1 : 1

UNLESS OTHERWISE SPECIFIED:		NAME	DATE
DIMENSIONS ARE IN INCHES	DRAWN		
TOLERANCES:	CHECKED		
FRACTIONAL: ±	ENG-APPL.		
ANGULAR: MINUS ±	ENG-APPL.		
DECIMAL: ±	Q.A.		
THREE PLACE DECIMAL: ±	COMMENTS:		
INFERRED GEOMETRIC TOLERANCING (FIT)			
MATERIAL			
FINISH			
HEAT TREAT			
WELD ON			
APPLICATION			
DO NOT SCALE DRAWING			

LUIS SUAREZ PARTEARROYO	
TITLE:	
Prototipo 3	
SIZE DWG. NO.	REV
A	Brazo 1
SCALE: 1:5	WEIGHT:
	SHEET 3 OF 3

PROPRIETARY AND CONFIDENTIAL
 THE INFORMATION CONTAINED IN THIS DRAWING IS THE SOLE PROPERTY OF SPECTRUM COMMUNICATIONS, INC. ANY REPRODUCTION OR TRANSMISSION WITHOUT THE WRITTEN PERMISSION OF SPECTRUM COMMUNICATIONS, INC. IS PROHIBITED.