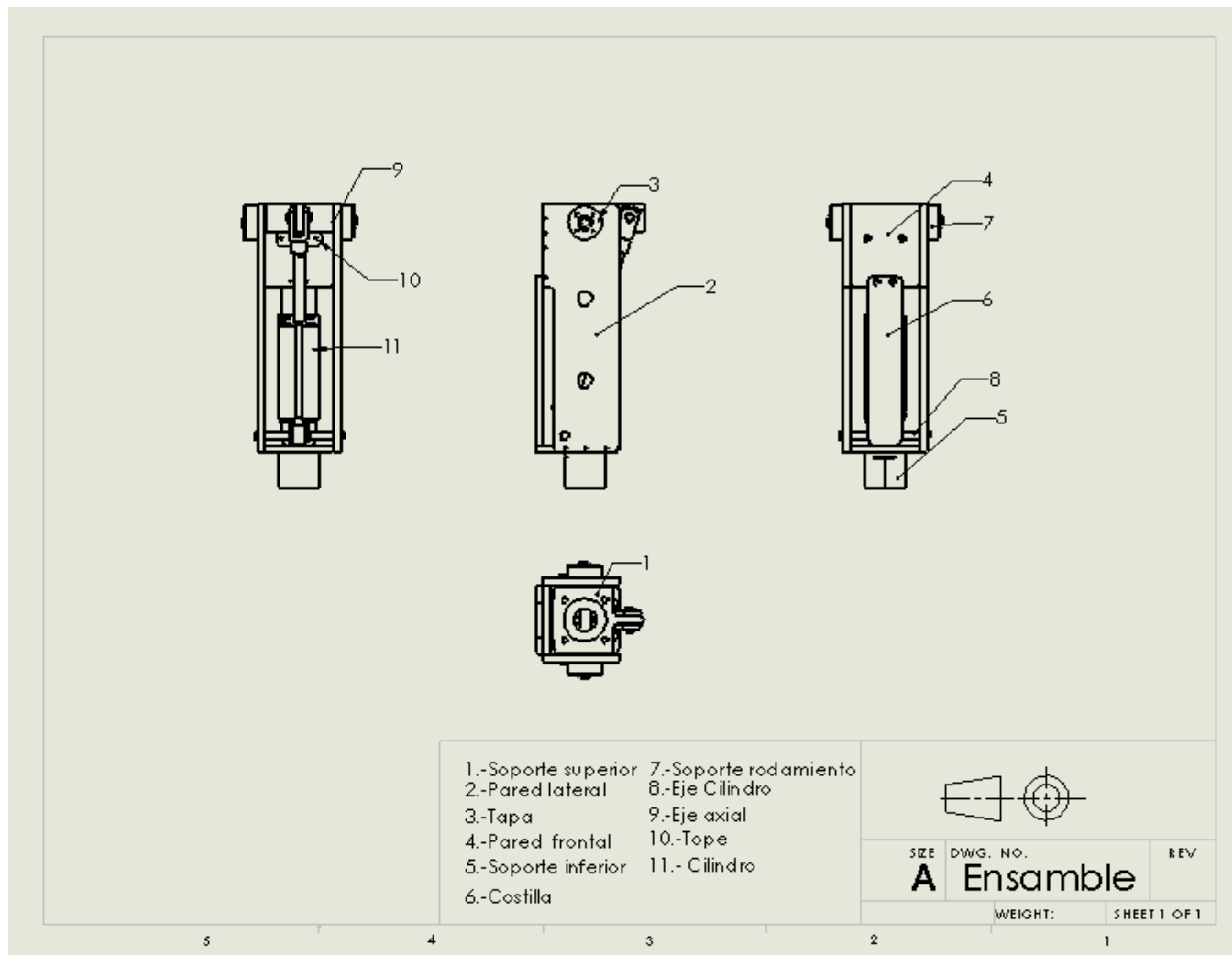
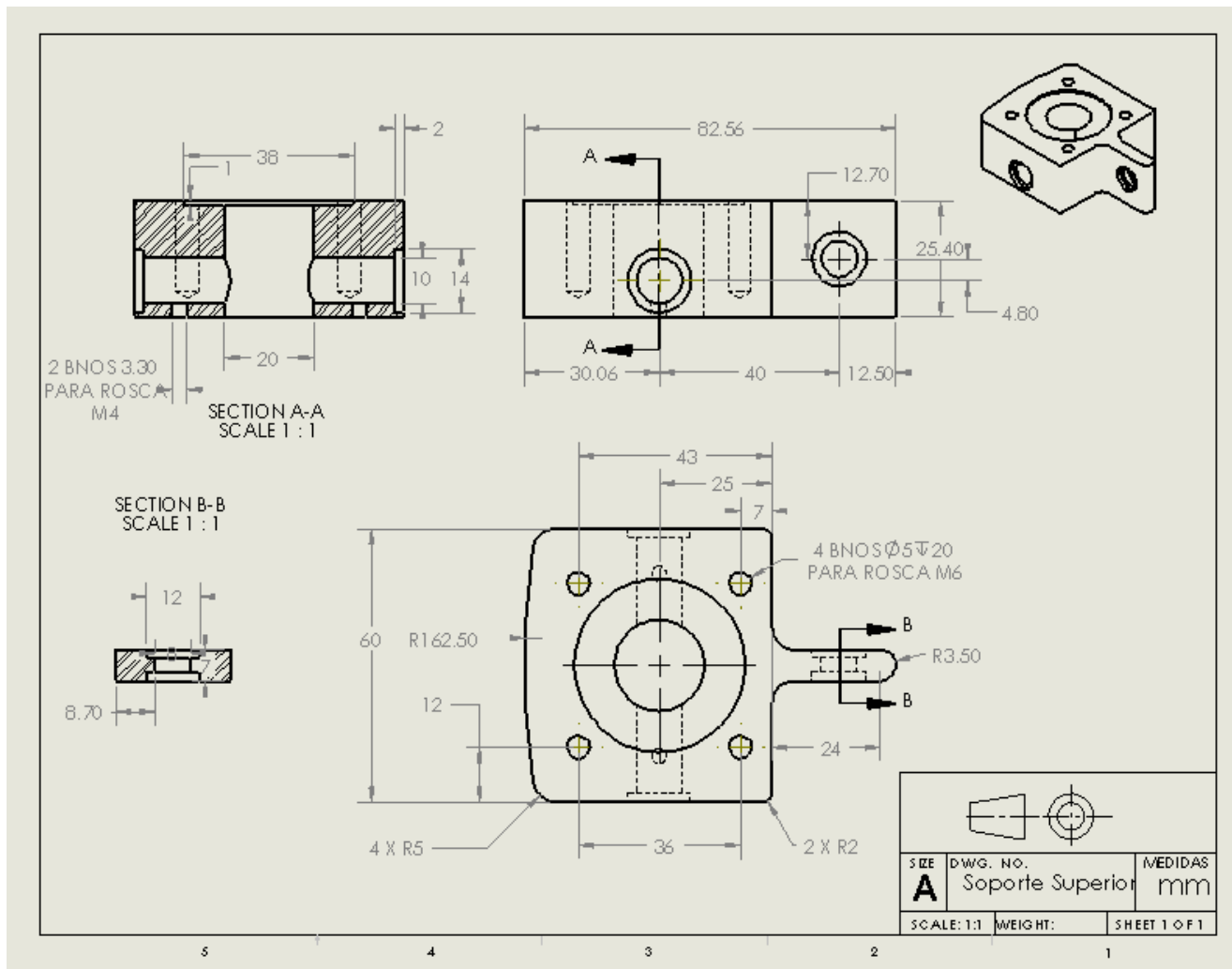
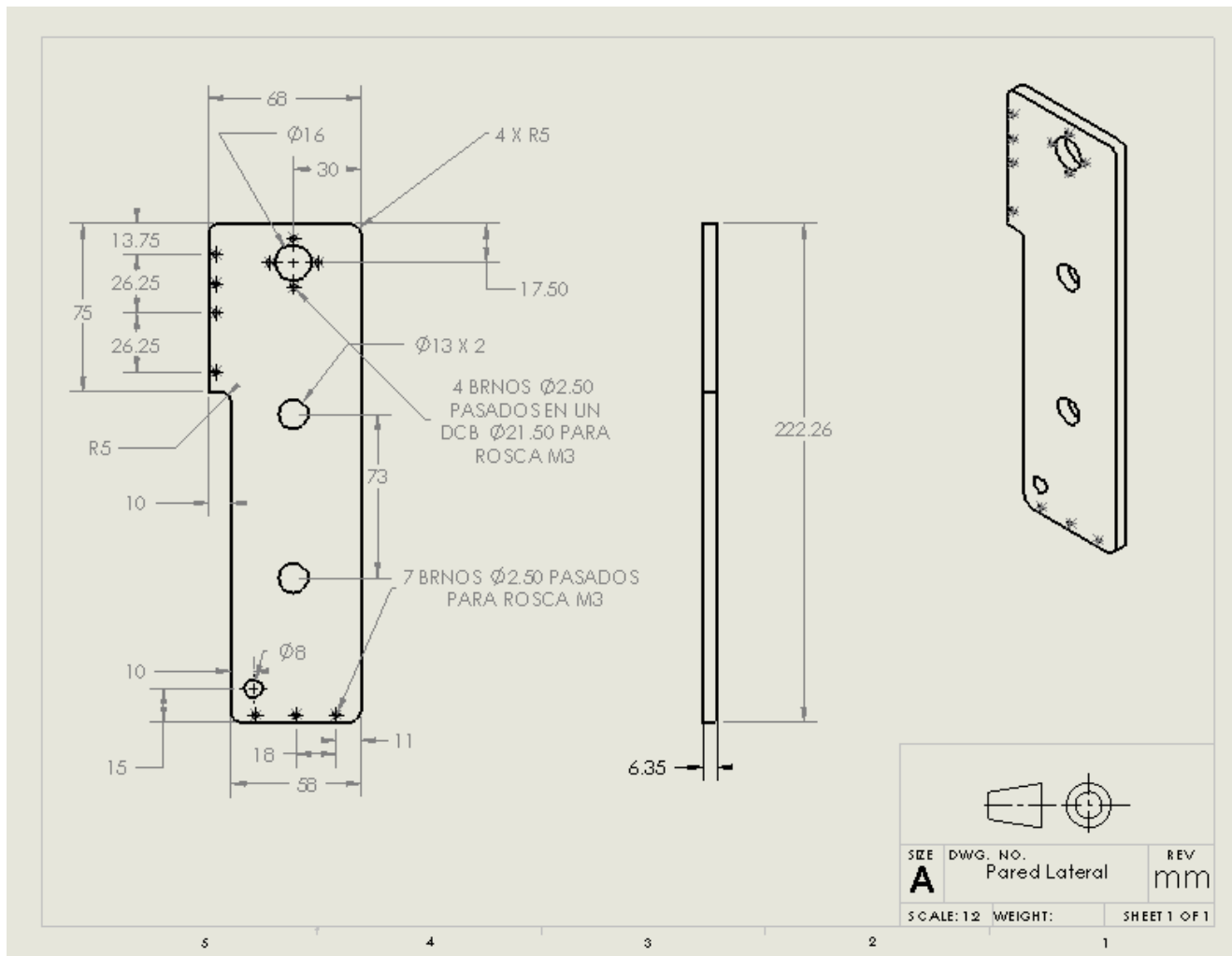
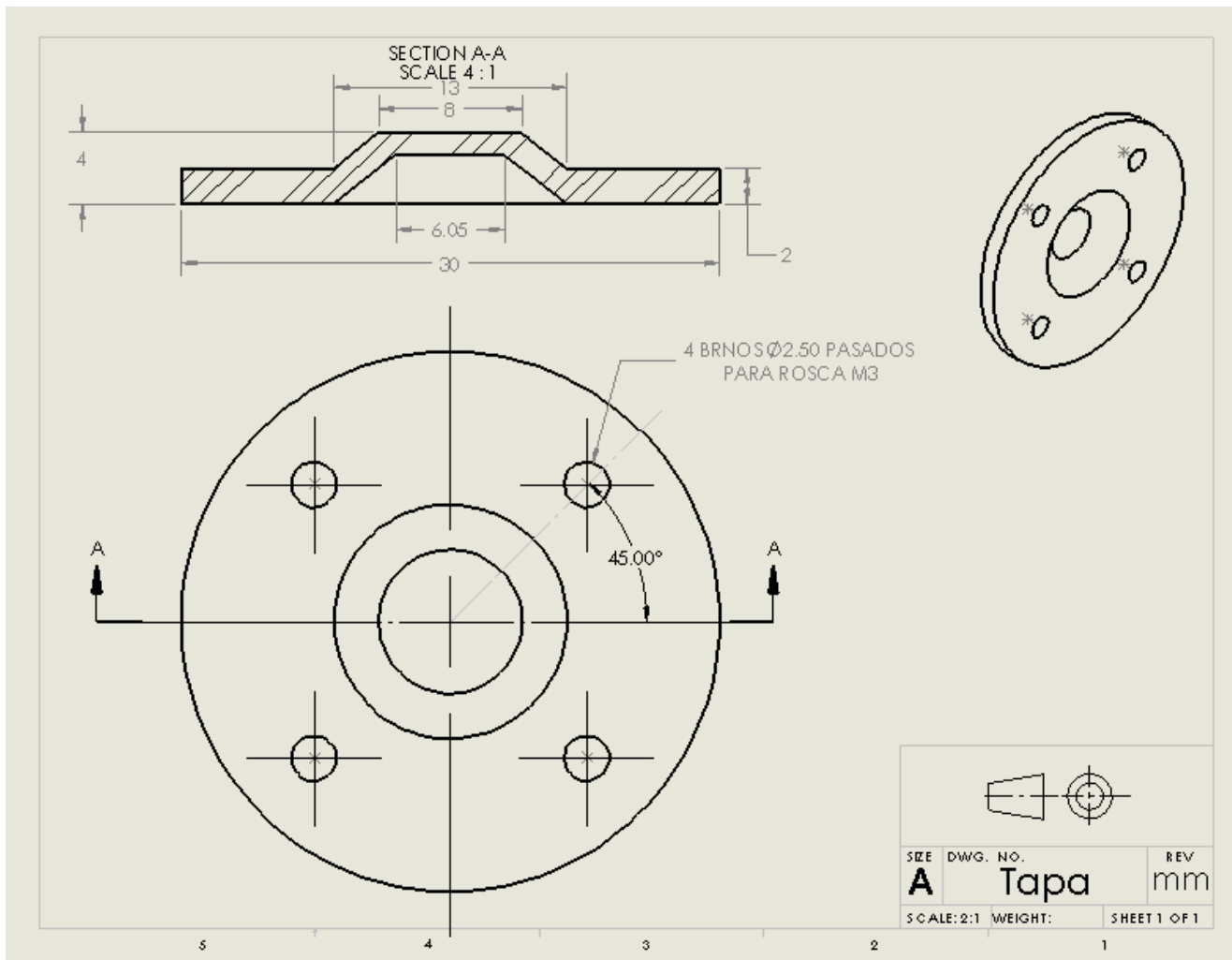


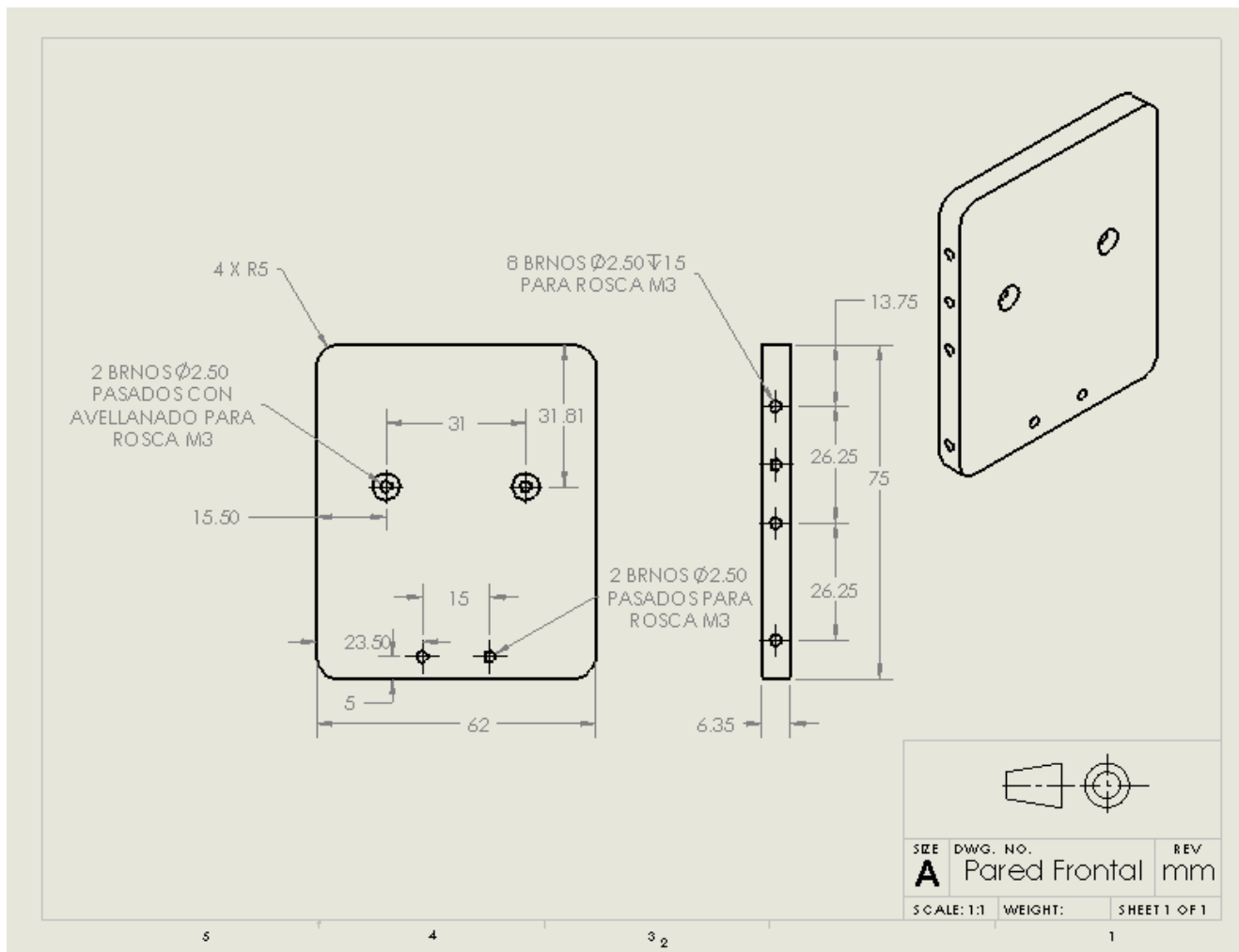
APÉNDICE A

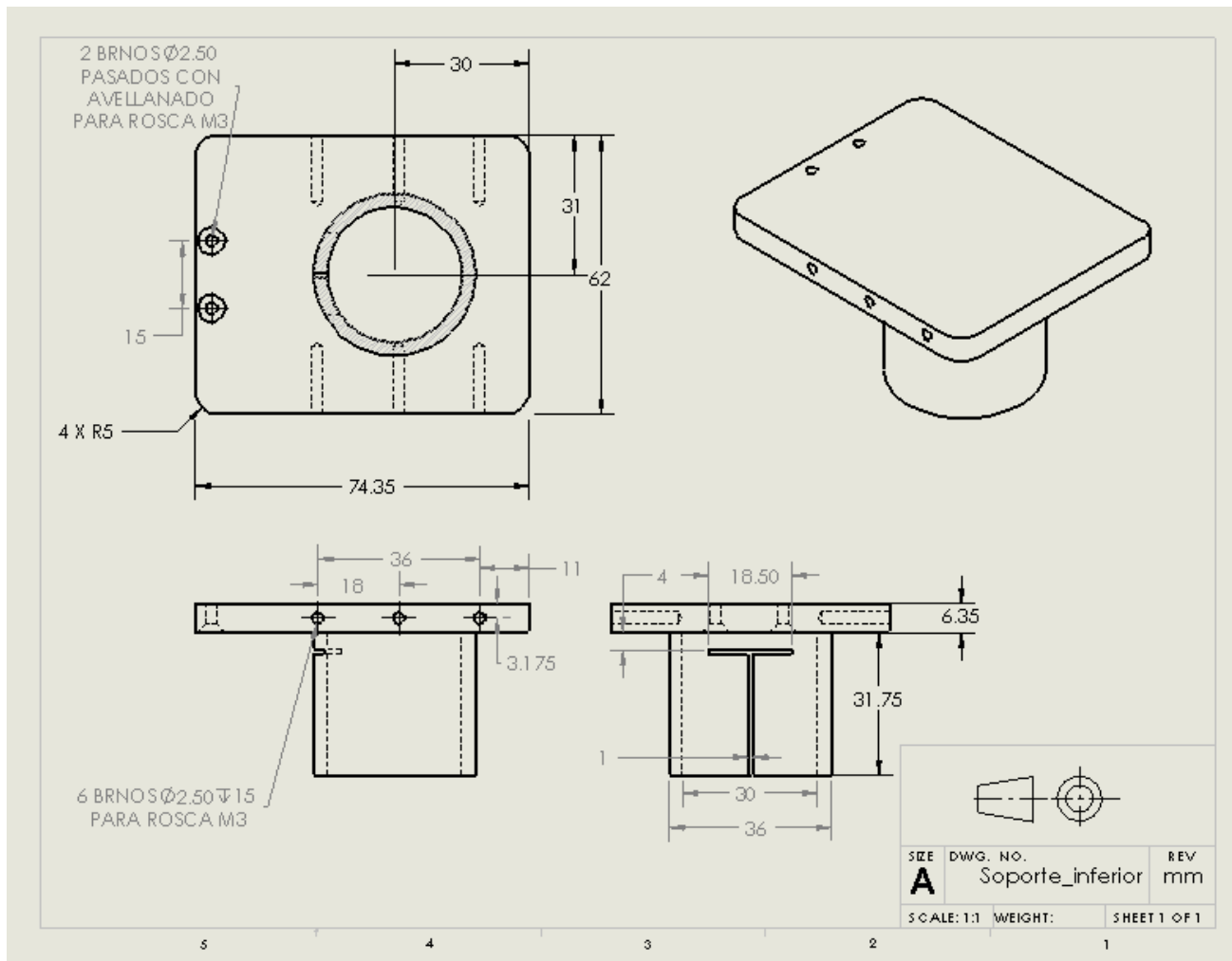


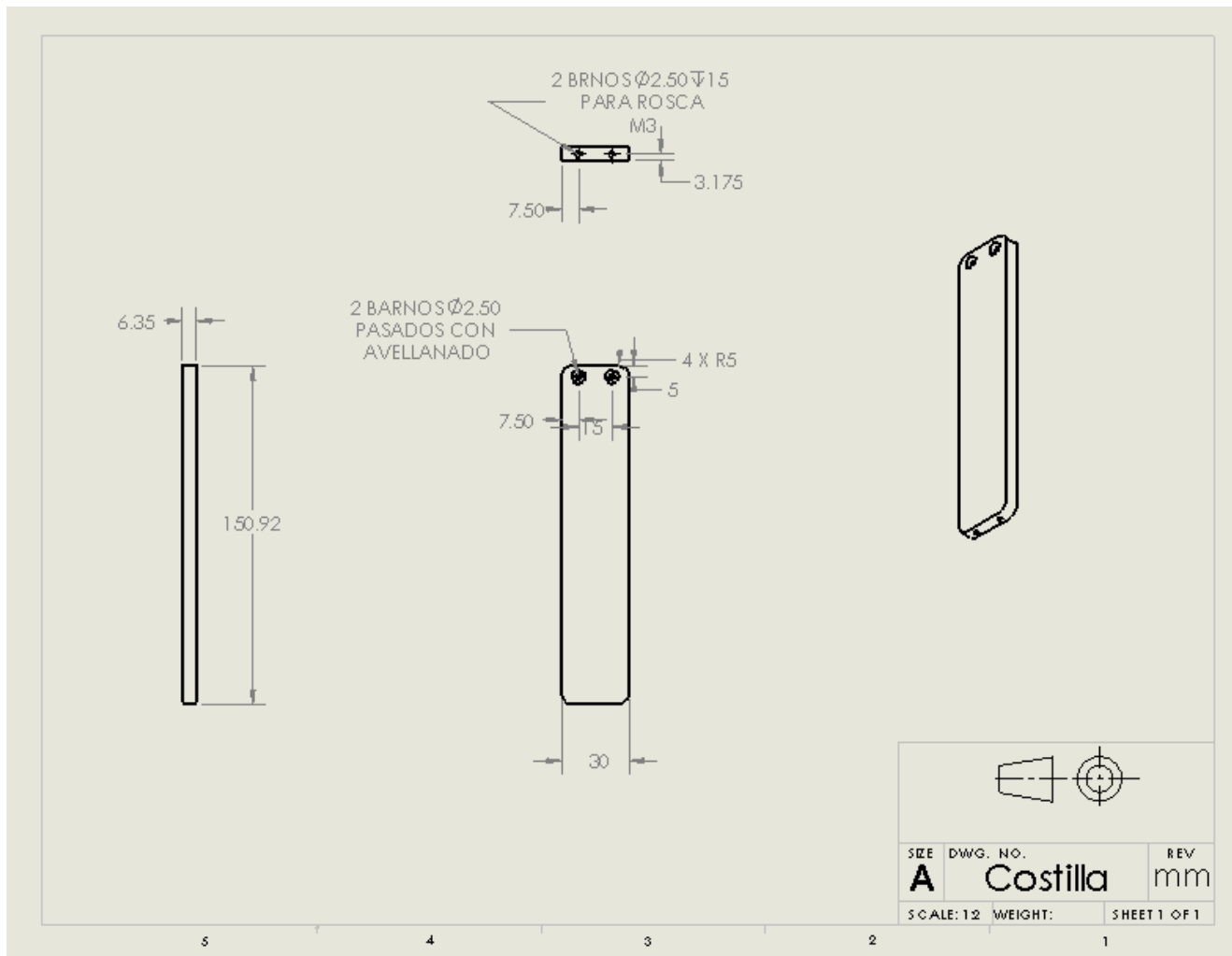


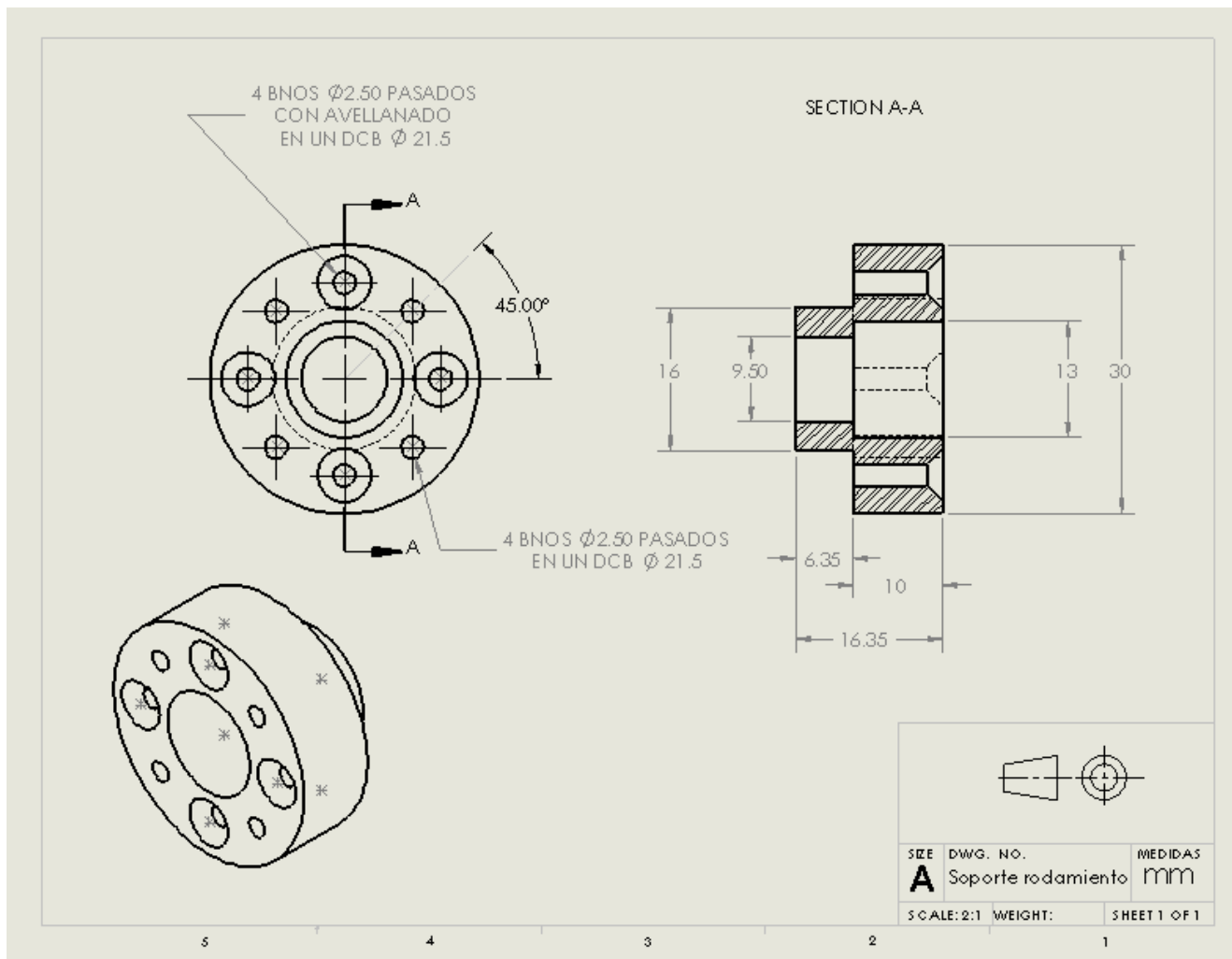


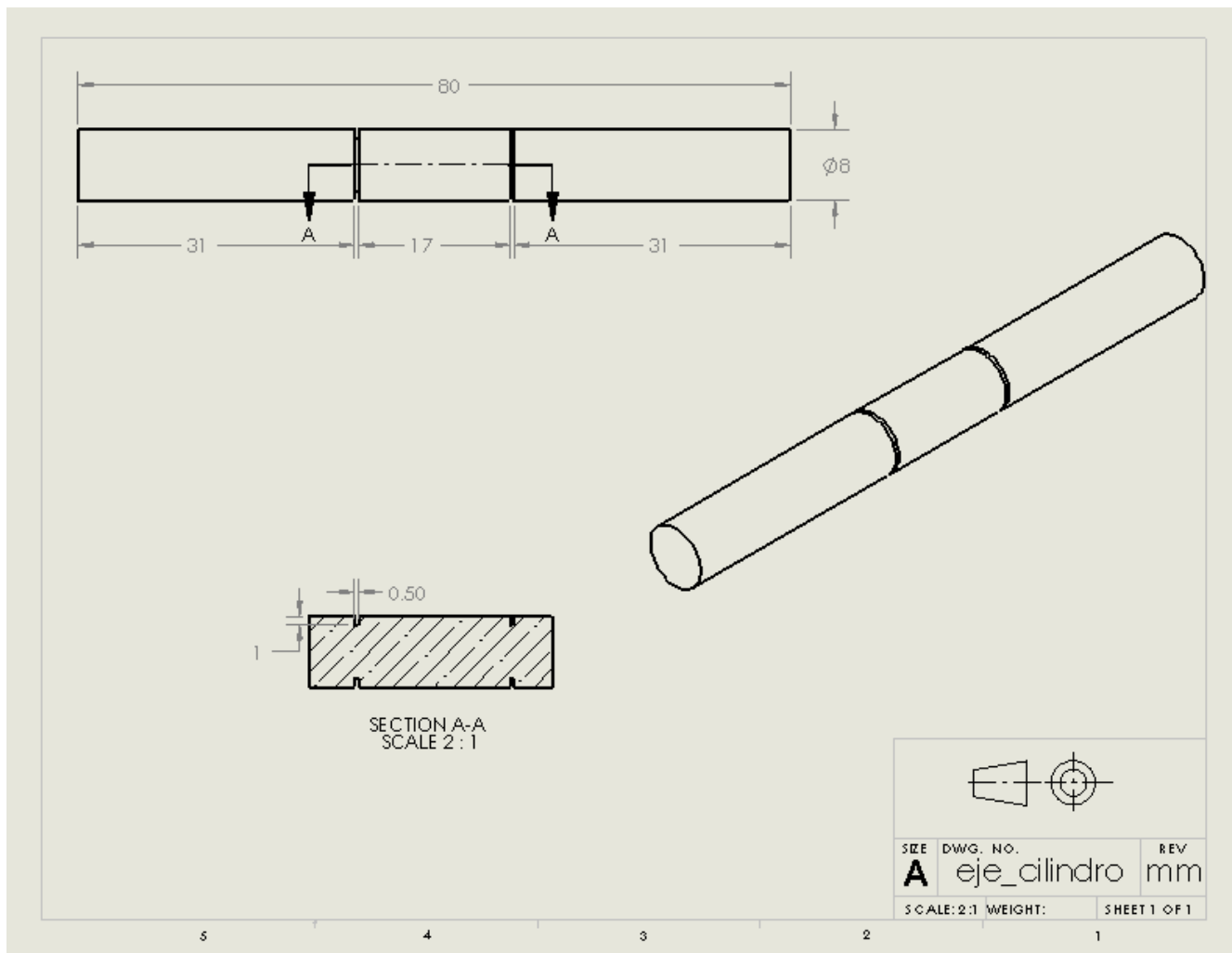


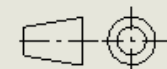
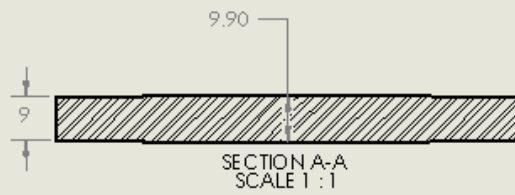
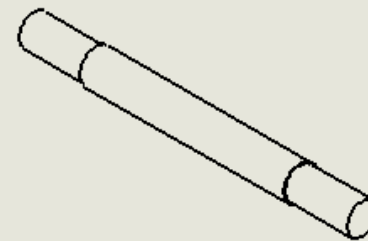
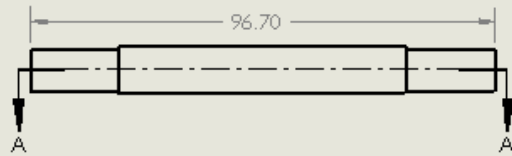












SIZE	DWG. NO.	REV
A	Eje axial	mm
SCALE: 1:1 WEIGHT:		SHEET 1 OF 1

5 4 3 2 1

