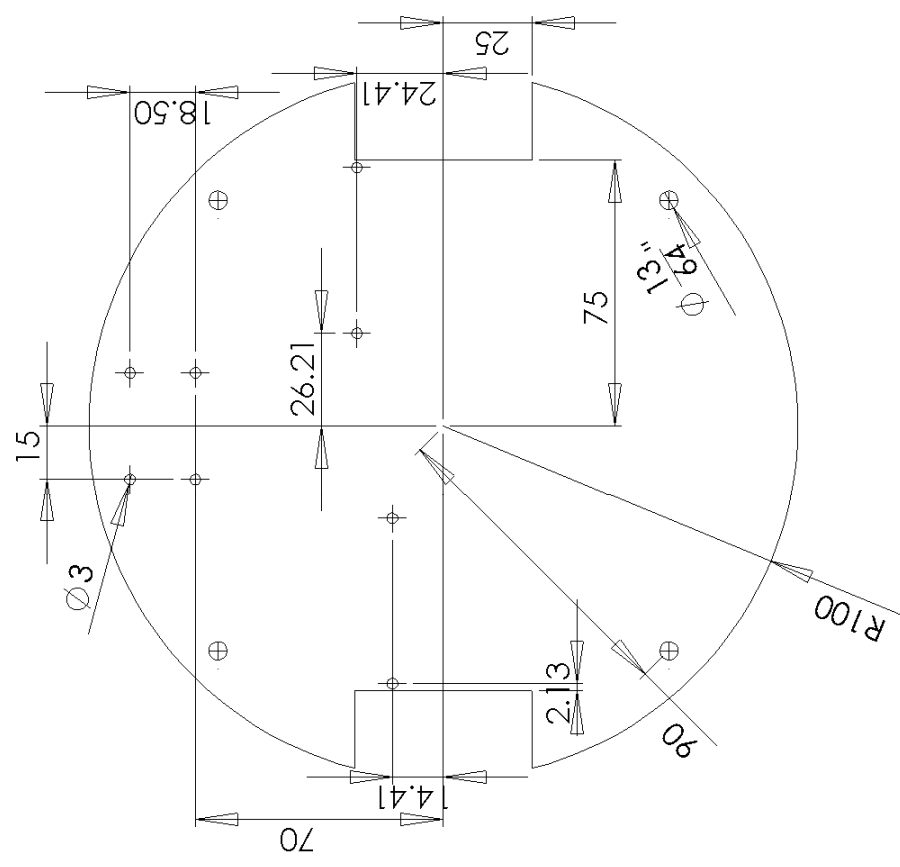
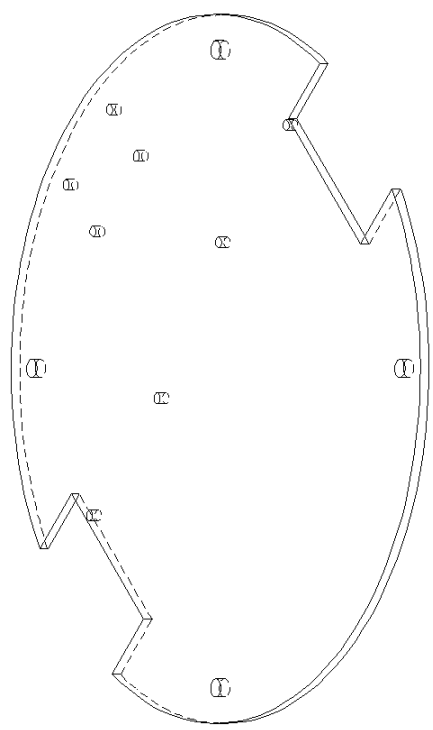


**APÉNDICE A: PLANOS DE ELEMENTOS
MANUFACTURADOS**



TITLE:

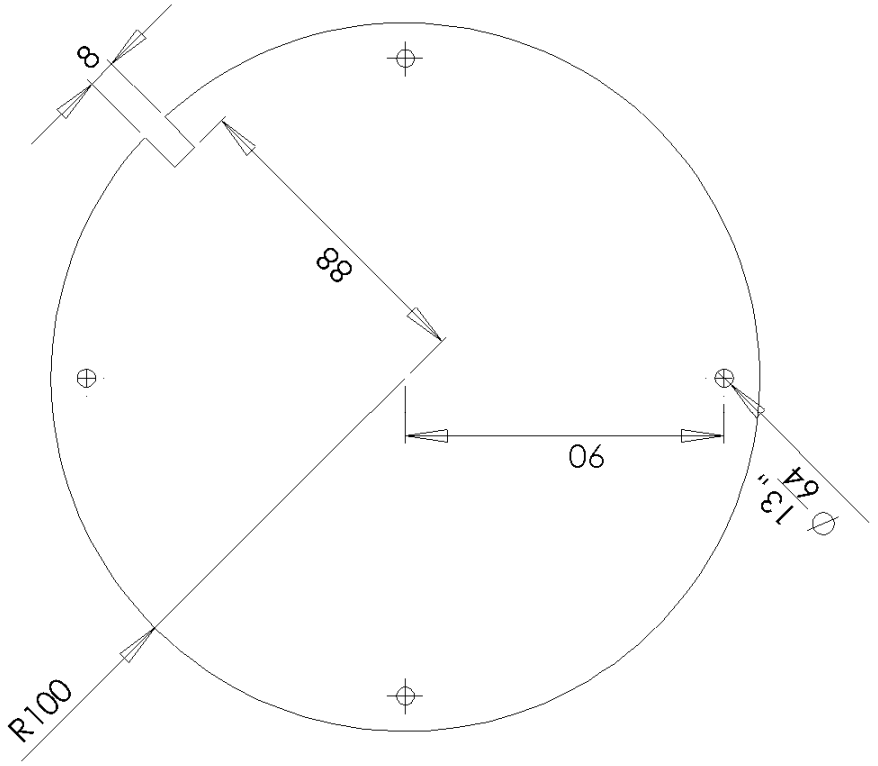
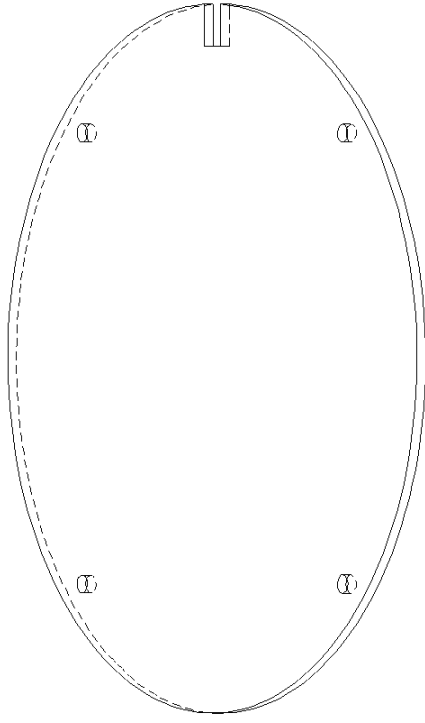
BASE PRINCIPAL

SIZE	DWG. NO.	PART NO.
A	B1	1

SCALE: 1:5 Millimeters

SHEET 1 OF 4

1 2 3 4 5



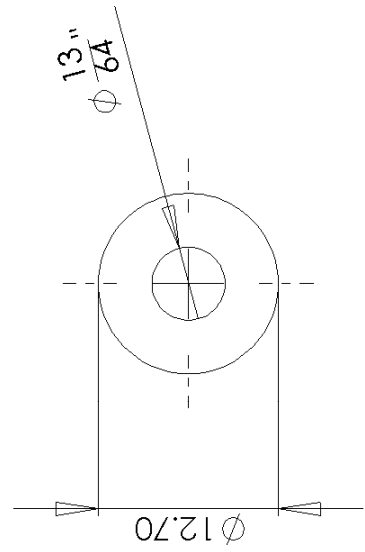
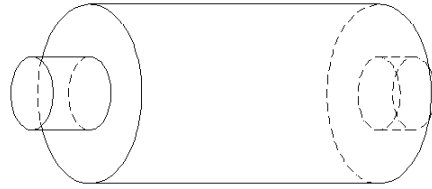
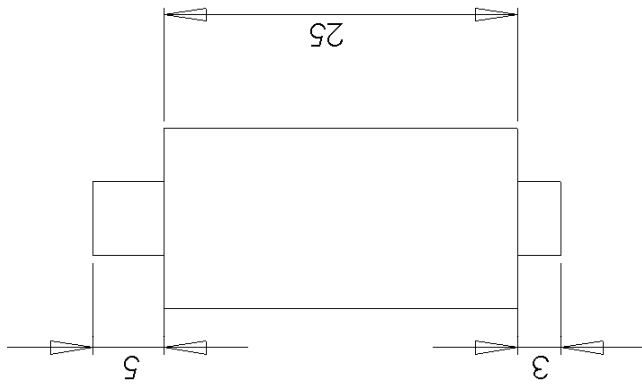
TITLE:

BASE

SIZE	DWG. NO.	PART NO.
A	B2	1

SCALE: 1:5 Millimeters SHEET 2 OF 4

1 2 3 4 5



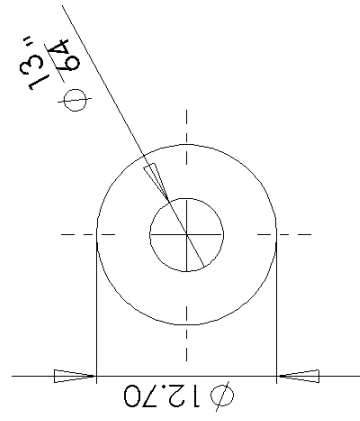
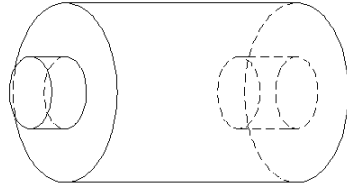
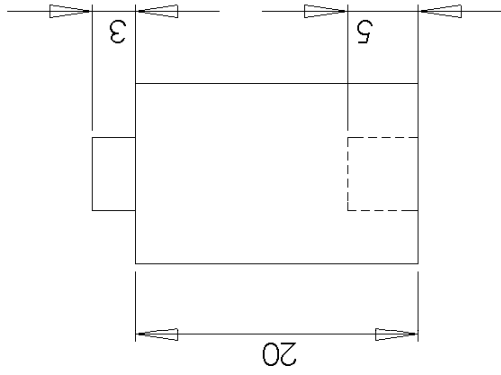
TITLE:

COLUMNA P.

SIZE	DWG. NO.	PART NO.
A	C1	4

SCALE: 2:1 Millimeters SHEET 3 OF 4

1 2 3 4 5



TITLE:

COLUMNNA

SIZE	DWG. NO.	PART NO.
A	C2	4

SCALE: 2:1 Millimeters SHEET 4 OF 4

1 2 3 4 5