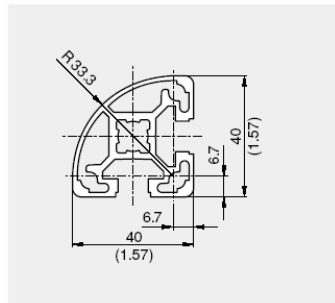
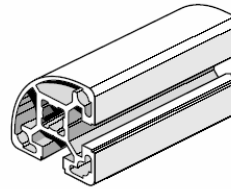


## A-2 PATAS Y KITS CONECTORES

**Rexroth**  
Bosch Group



### Technical Data

Moment of inertia	$I_x = 7.2\text{cm}^4$
	$I_y = 7.2\text{cm}^4$
Section modulus	$W_x = - \text{cm}^3$
	$W_y = - \text{cm}^3$
Profile surface	$A = 5.0\text{cm}^2$
Weight	1.3 kg/m

