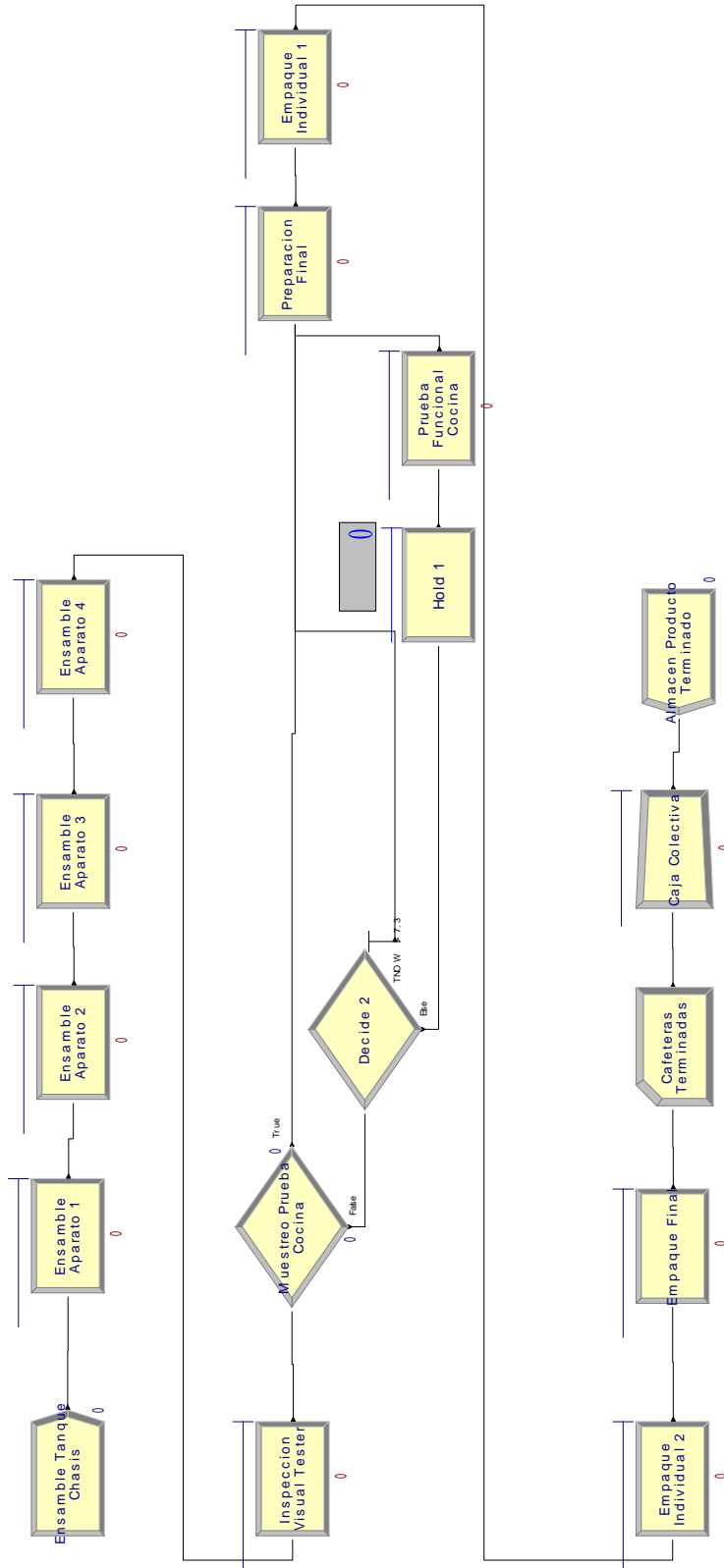


ANEXO E



Testis AG Universal Motors

Replications: 10

Replication 1	Start Time:	0.00	Stop Time:	7.61	Time Units:	Hours
---------------	-------------	------	------------	------	-------------	-------

Counter

Count	Value
Caré leras Terminadas	1,500.00

Replication 10	Start Time:	0.00	Stop Time:	7.61	Time Units:	Hours
----------------	-------------	------	------------	------	-------------	-------

Counter

Count	Value
Caré leras Terminadas	1,500.00

Replication 2	Start Time:	0.00	Stop Time:	7.61	Time Units:	Hours
---------------	-------------	------	------------	------	-------------	-------

Counter

Count	Value
Caré leras Terminadas	1,500.00

Replication 3	Start Time:	0.00	Stop Time:	7.61	Time Units:	Hours
---------------	-------------	------	------------	------	-------------	-------

Counter

Count	Value
Caré leras Terminadas	1,500.00

Replication 4	Start Time:	0.00	Stop Time:	7.62	Time Units:	Hours
---------------	-------------	------	------------	------	-------------	-------

Counter

Count	Value
Caré leras Terminadas	1,500.00

Tesis AG Universal Motors

Replications: 10

Replication 5	Start Time:	0.00	Stop Time:	7.62	Time Units:	Hours
---------------	-------------	------	------------	------	-------------	-------

Counter

Count	Value
Cateteras Terminadas	1,500.00

Replication 6	Start Time:	0.00	Stop Time:	7.60	Time Units:	Hours
---------------	-------------	------	------------	------	-------------	-------

Counter

Count	Value
Cateteras Terminadas	1,500.00

Replication 7	Start Time:	0.00	Stop Time:	7.60	Time Units:	Hours
---------------	-------------	------	------------	------	-------------	-------

Counter

Count	Value
Cateteras Terminadas	1,500.00

Replication 8	Start Time:	0.00	Stop Time:	7.62	Time Units:	Hours
---------------	-------------	------	------------	------	-------------	-------

Counter

Count	Value
Cateteras Terminadas	1,500.00

Replication 9	Start Time:	0.00	Stop Time:	7.60	Time Units:	Hours
---------------	-------------	------	------------	------	-------------	-------

Counter

Count	Value
Cateteras Terminadas	1,500.00