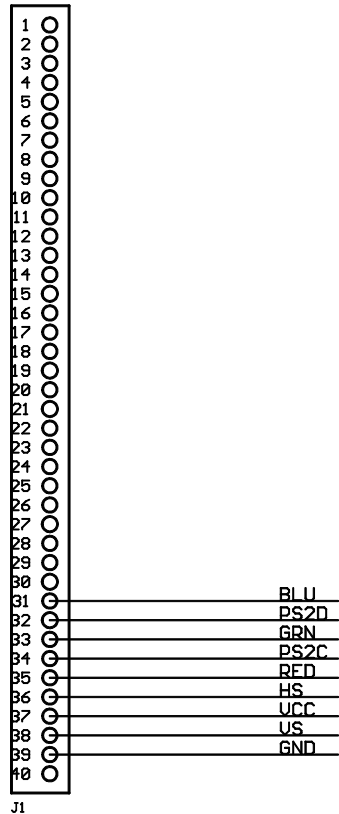
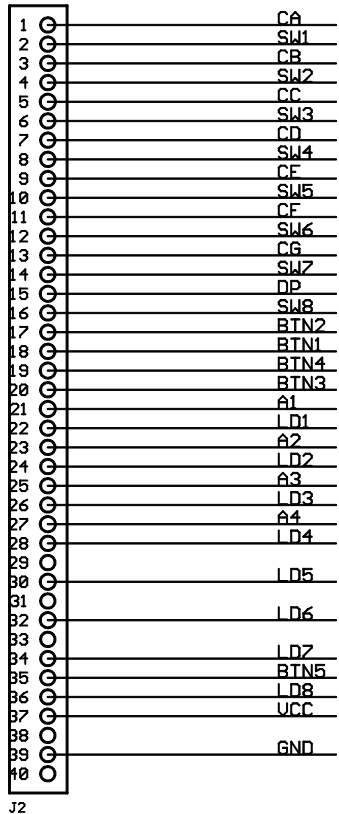


Connector A



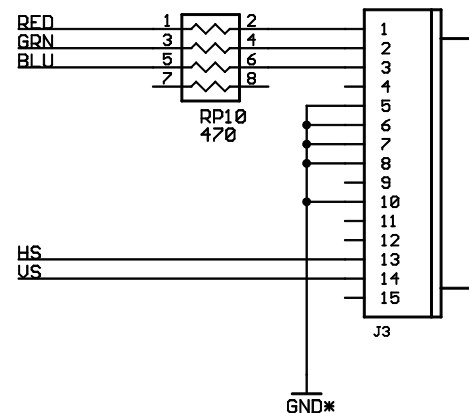
J1

Connector B

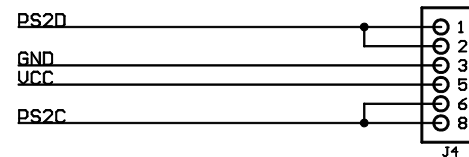


J2

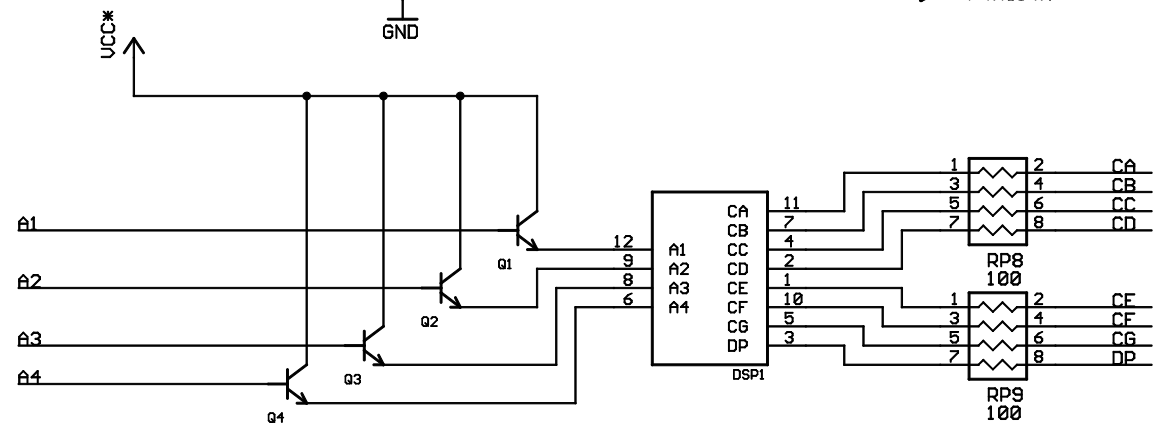
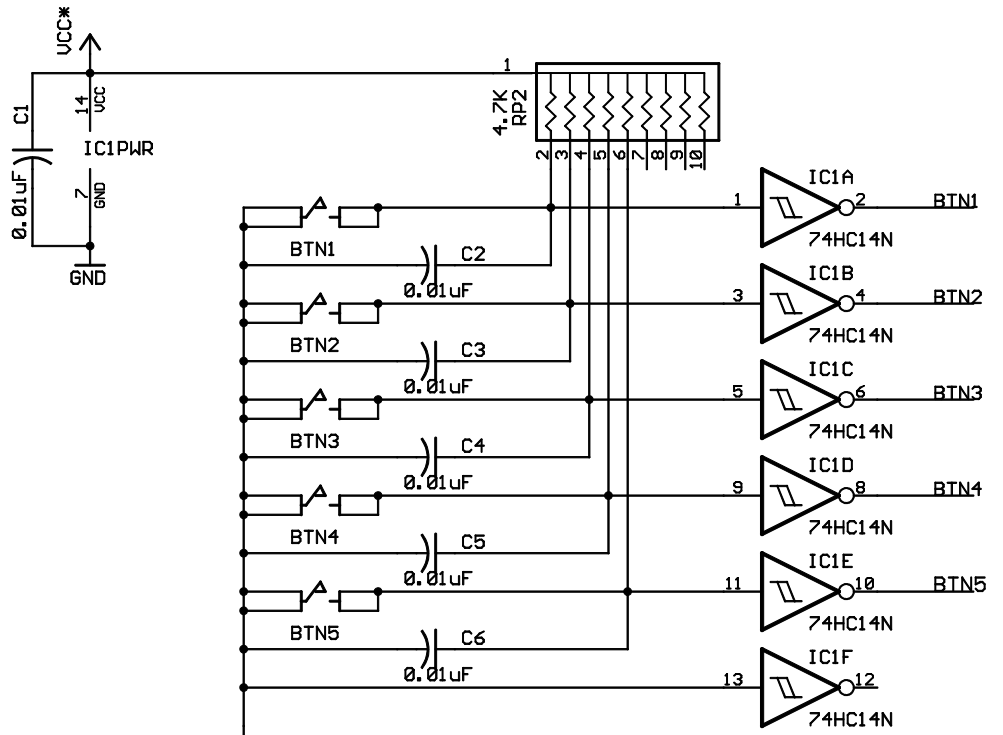
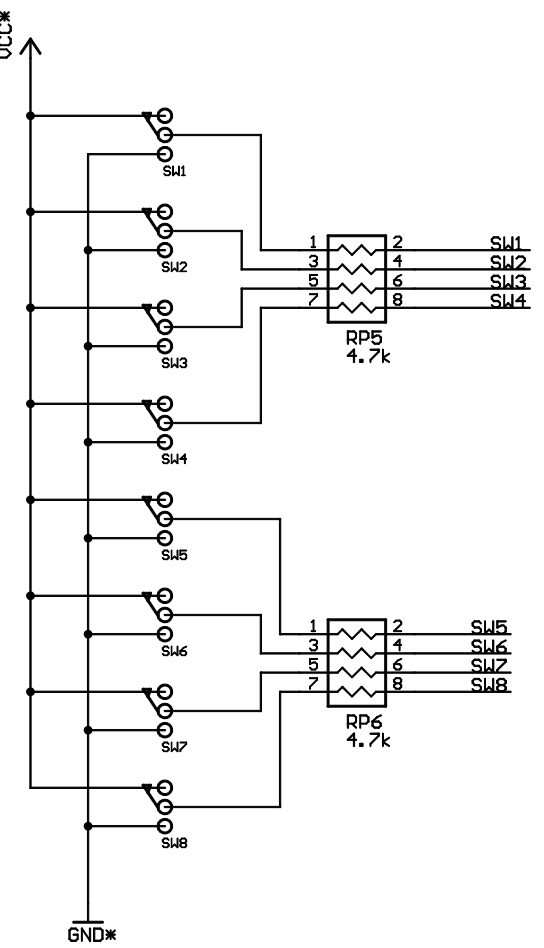
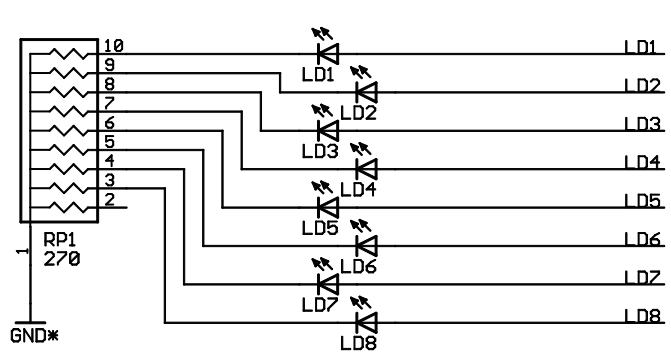
UGA Connector



PS/2 Keyboard Connector



Digilab Digital I/O 1 Peripheral Board Copyright 2002, Digilent Inc.	
TITLE: D1abDio1	Author: NEA
Document Number: PB-500-009	Rev: B
Release Date: 10/24/2002	Sheet:1/2



Digilab Digital I/O 1 Peripheral Board Copyright 2002, Digilent Inc.	
TITLE: DlabDio1	Author: NEA
Document Number: PB-500-009	Rev: B
Release Date: 10/24/2002	Sheet: 2/2